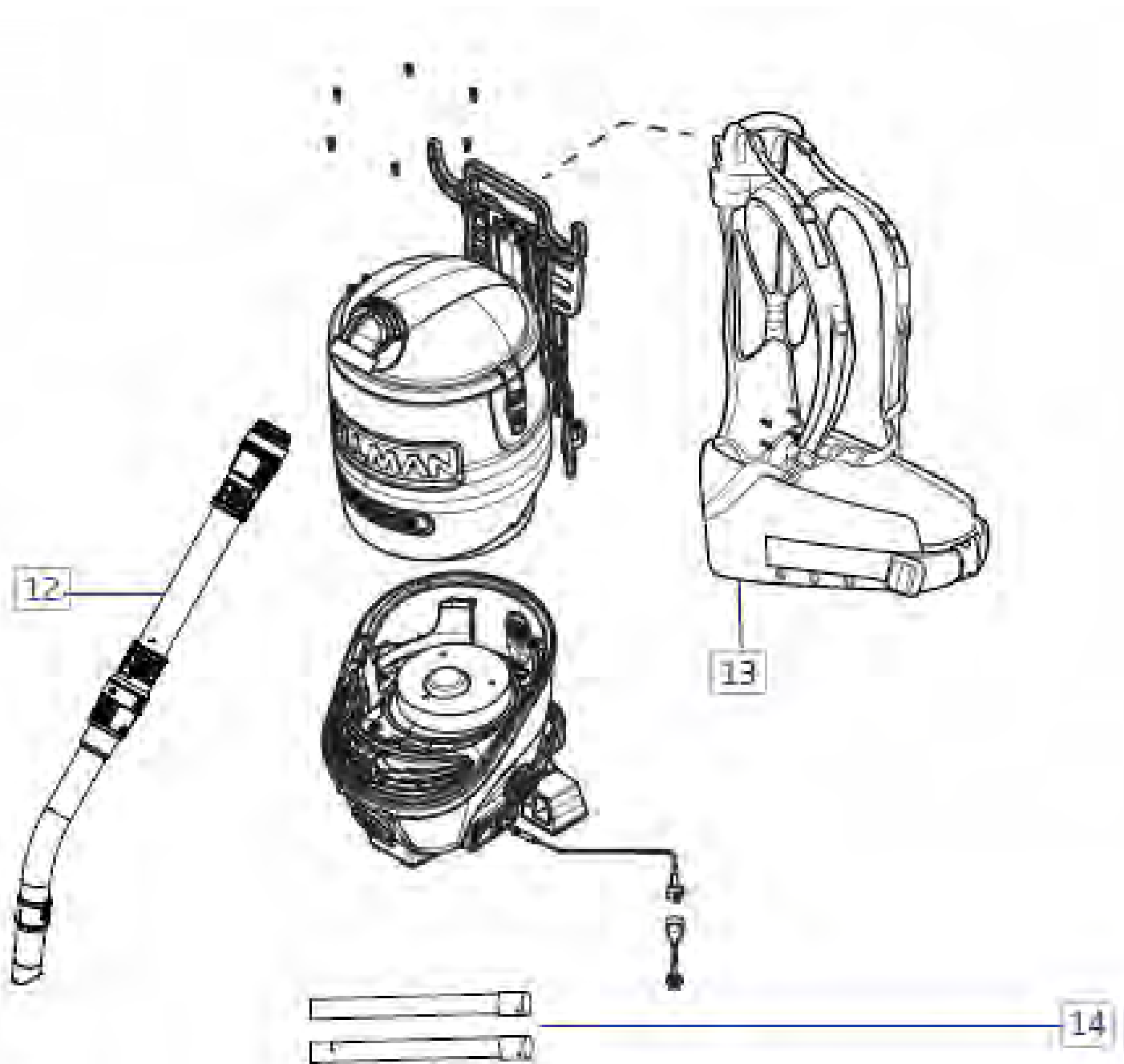


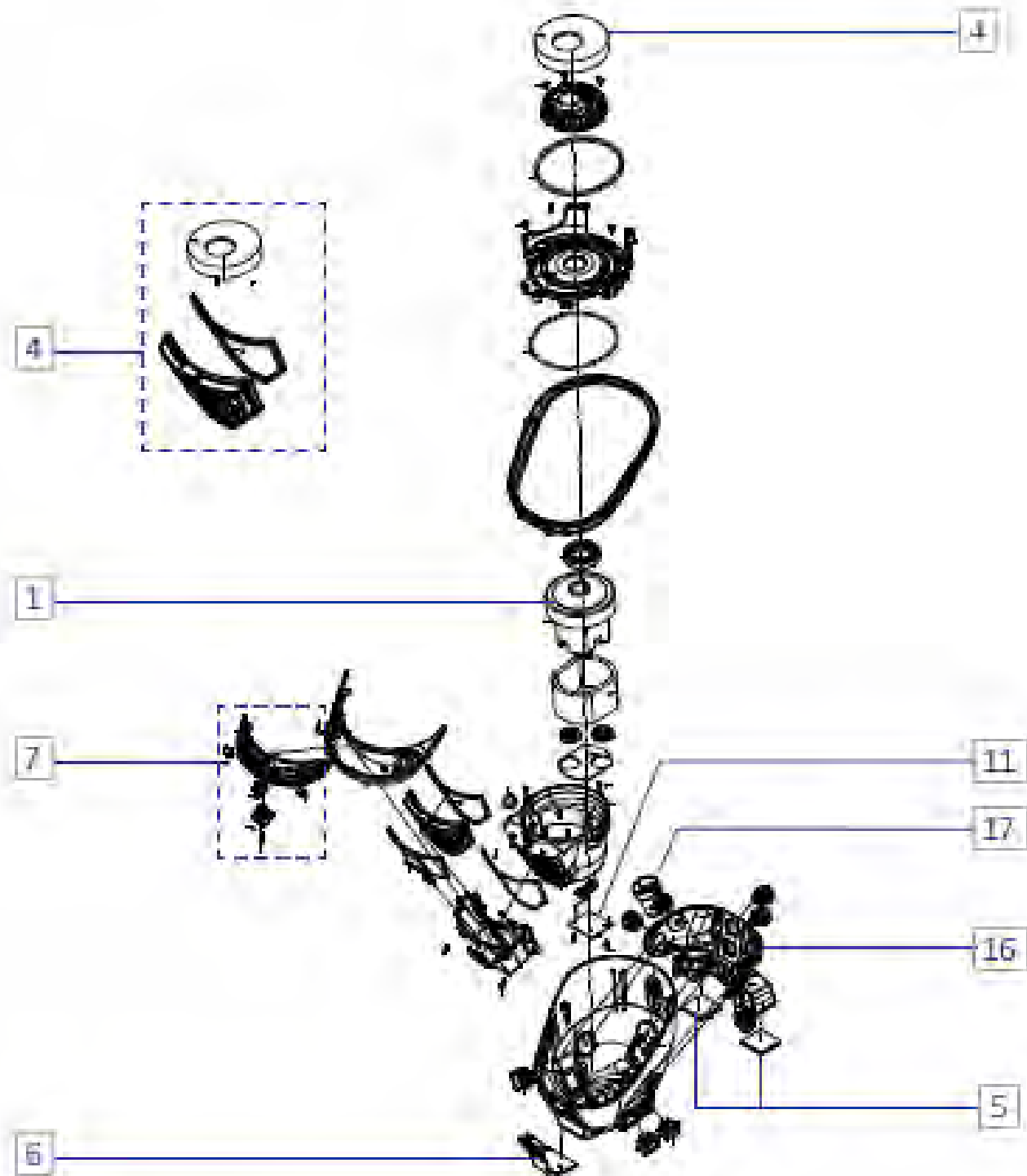
- 13 -

**EXPLODED
DIAGRAMS**

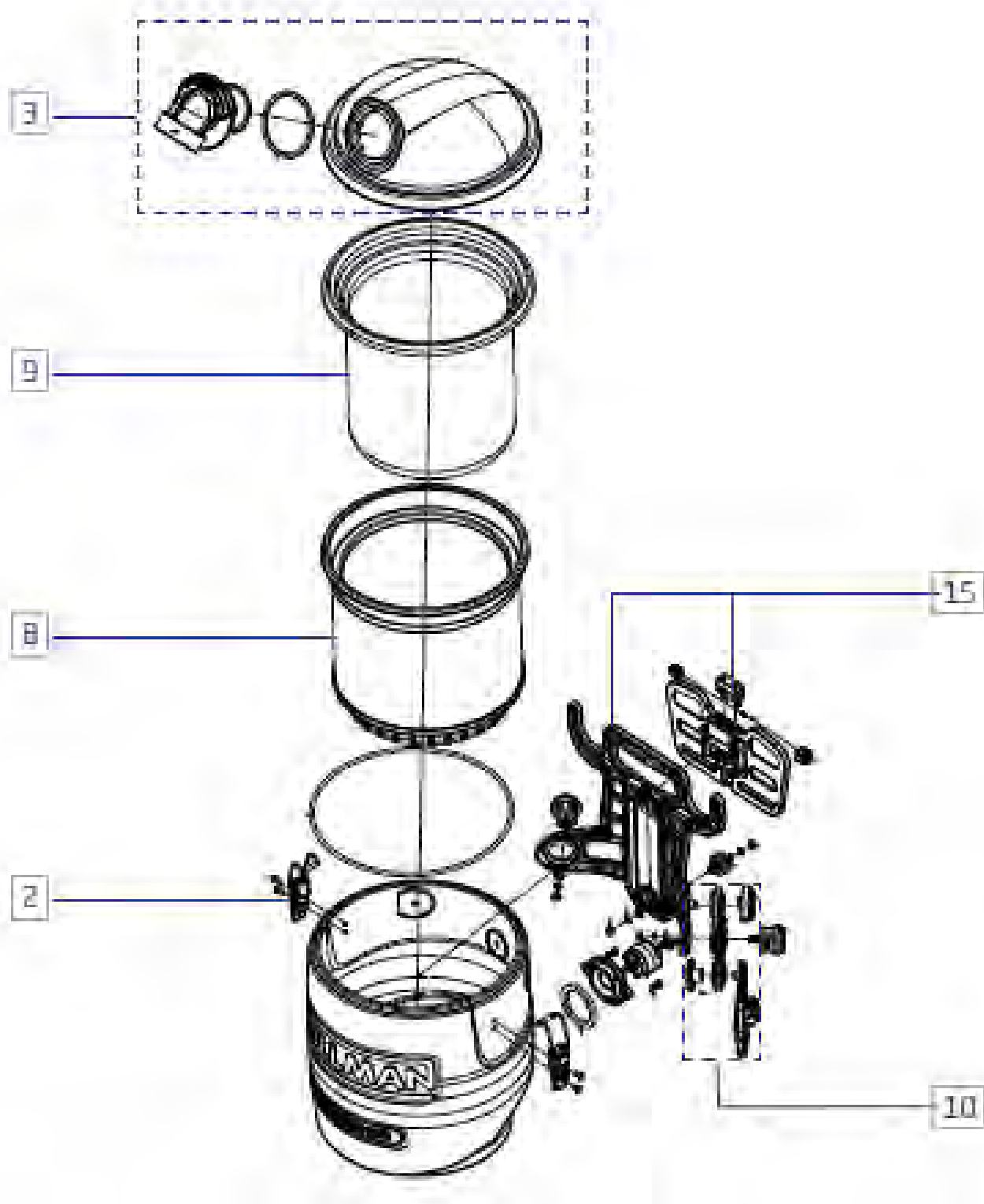
PV900 Exploded Diagram



PV900 Exploded Diagram



PV900 Exploded Diagram

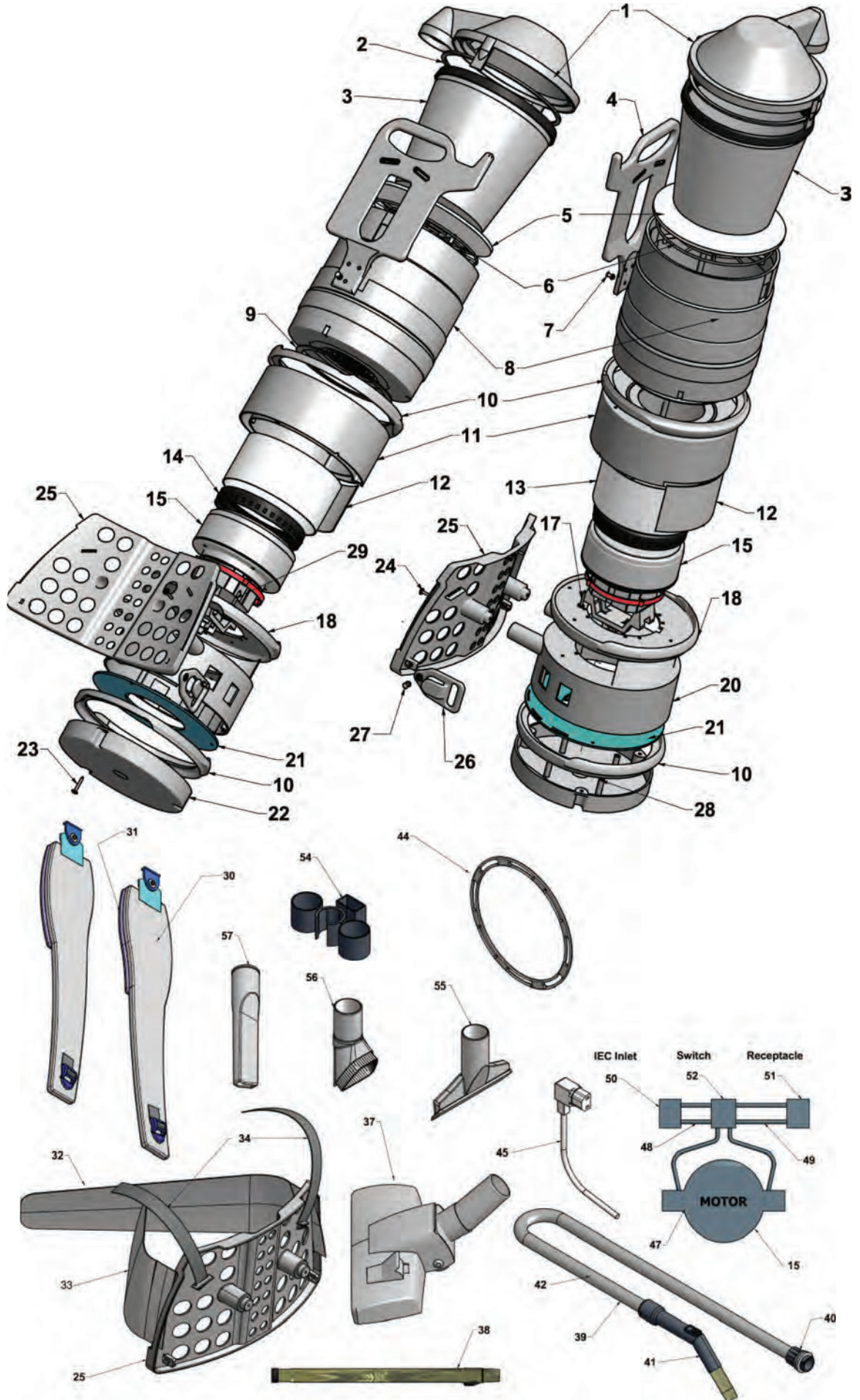


PV900 Exploded Diagram

Spare Parts List

No.	Description	Supplier Code	
	Pullman PV900 Machine	11500179	
1	Motor	34400222	
2	Latch, Dust Bin Lid	33600187	
3	Lid Assembly Complete	33155189	
4	Filter Set, Exhaust/Motor Inlet	32201322	
5	Pad, Pair Rubber Foot	31400219	
6	Cap, Blower	31155135	
7	Grill Cover	33155193	
8	Vortex Hepa Filter Chamber	32201325	
9	Cloth Filter Bag	32440414	
10	Cable Restraint	33155198	
11	Main PCB Board	33201331	
12	Hose Assembly Complete	31220753	
13	Strap & Harness Assembly Complete	33788029	
14	Rod 35mm Aliminuim 2pcs	31300730	
15	Upper Bracket with Height Adjustment	33788030	
16	Lower Bracket	33788035	
17	Hose Handle with Suction Relief Valve	33155202	
	Pullman Paper Dust Bag 5pk	32440416	

PV14BE Exploded Diagram

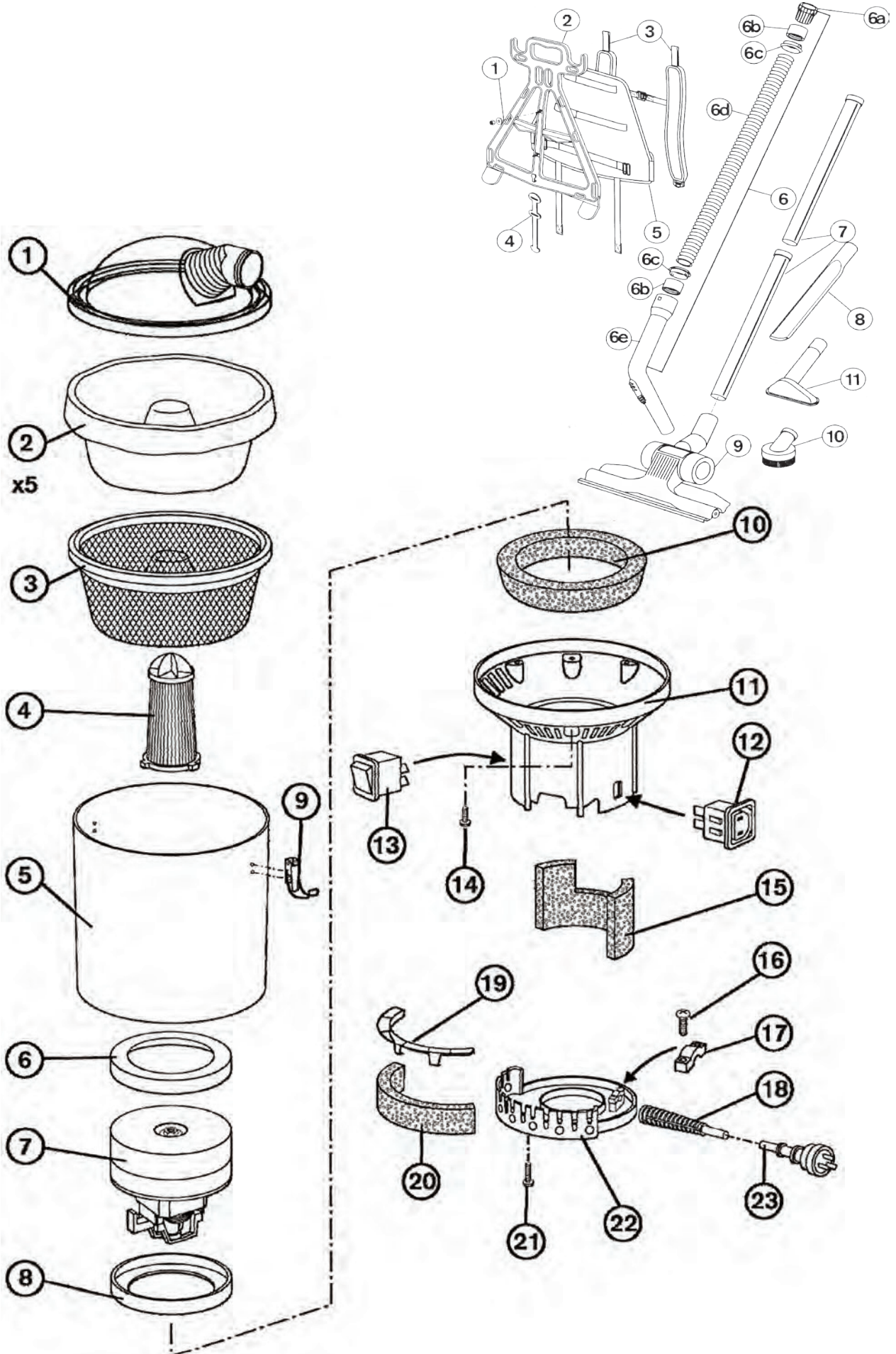


PV14BE Exploded Diagram

Spare Parts List

No.	Description	Supplier Code	
	Pullman PV14BE Machine	11500105	
2	Lid Clear Assembly	33101168	
3	Filter Bag	33400003	
5	Filter Disc	32200813	
6	Support Stand		
15	Motor	34100001	
25	BackRest		
30	Shoulder Strap	33700069	
32 & 33	Waist Strap		
37	Deluxe Floor Nozzle, Combination 32mm	31110022	
38	Rod, Extension Chrome 32mm	31300281	
39	Deluxe Black Hose Assembly 32mm	31220467	
45	Cord 15m, 2 Core, 7.5 Amp with IEC Plug	33200685	
41	BEP Chrome 32mm Universal	31300055	
52	Power Switch On/OFF	33200523	
55	Tool Upholstery 32mm No Bristles	31140030	
56	Tool Dusting Brush 32mm	31130010	
57	Tool Crevice 32mm	31120005	

Pacvac Superpro 700 Exploded Diagram

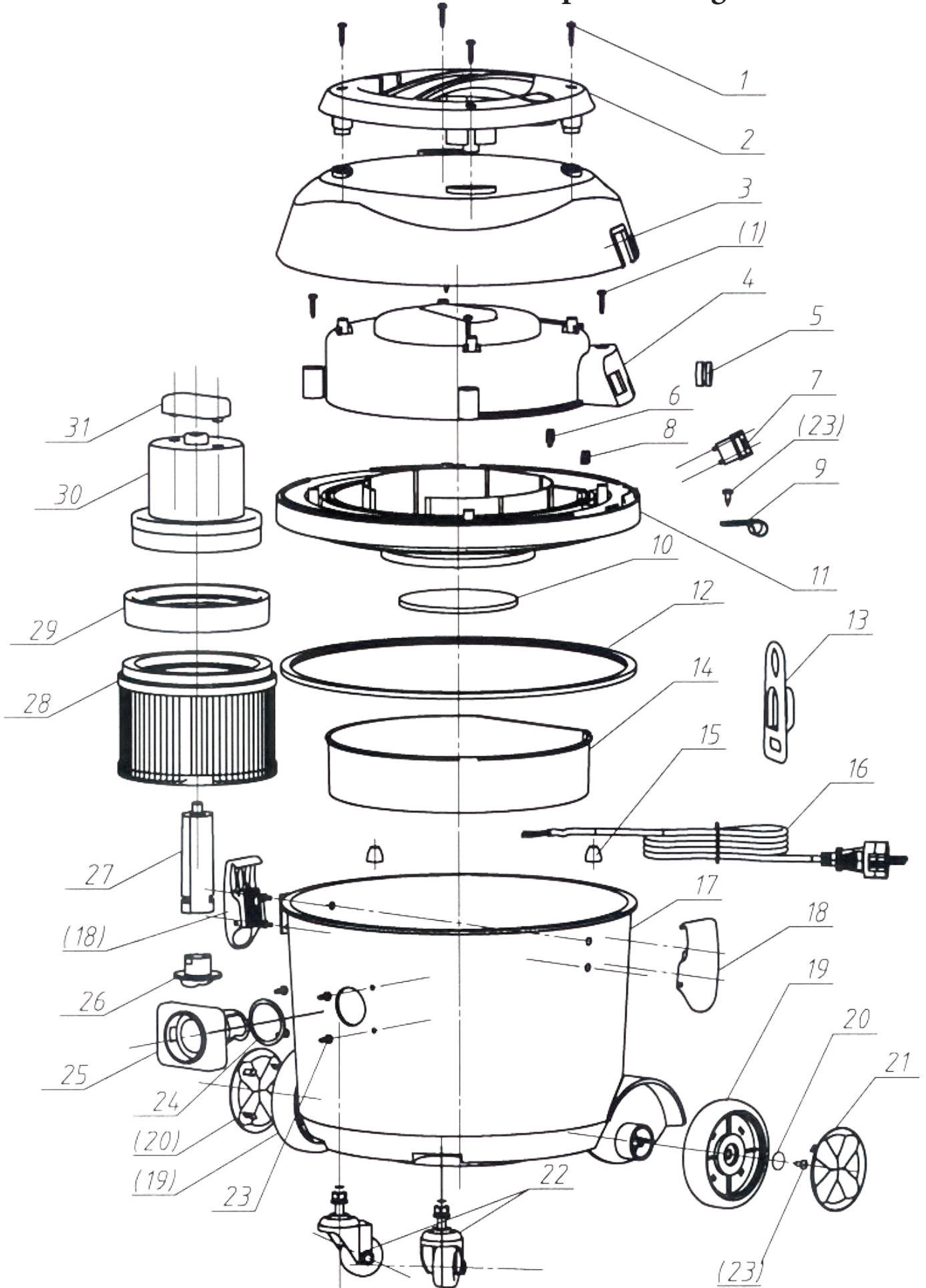


Pacvac Superpro 700 Exploded Diagram

Spare Parts List


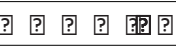

No.	Description	Supplier Code
1	Top Dome Lid	33151716
2	Hypercone Paper Bag 5pk	32420331
2	Quickfit QC65 Paper Bag 10pk	32440218
2	Quickfit QC700 Synthetic Bag 10pk	32440302
3	Dust Bag	33400109
4	Hypercone HEPA Filter	32200587
5	Main Vacuum Canister	
7	1000w Motor Flow Thru (240v)	33300678
13	Switch	33200523
20	External Motor Filter	32200586
22	2 2 om Cap	33101156
23	Short cord with iEC connector & 3 pin plug	33200123
	Harness & Accessories	
3	Shoulder Strap Super Pro	33701702
6	Hose Complete	31220365
7	Straight Rod	31300281
9	Super Gulper	31110189

Pullman AS4 / AS4H / PC4 Exploded Diagram

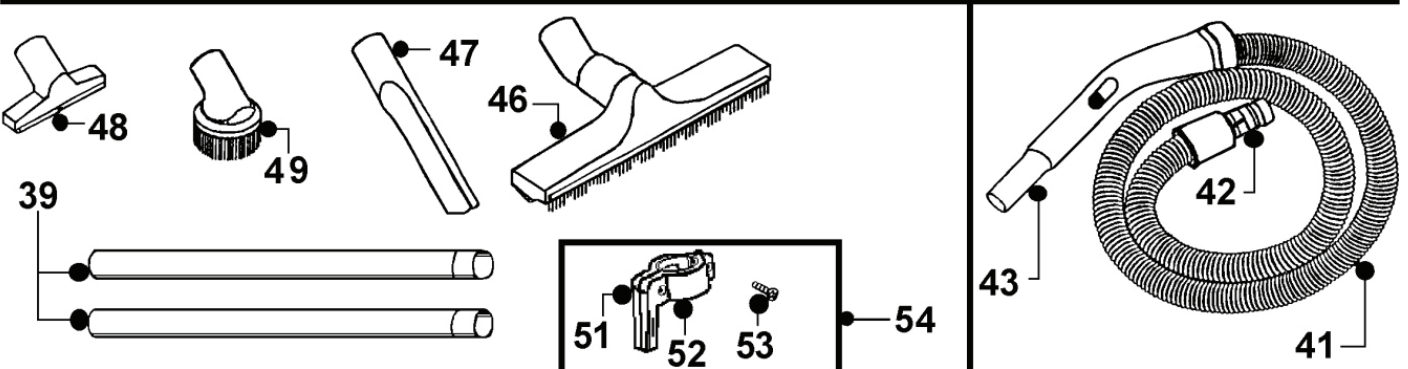
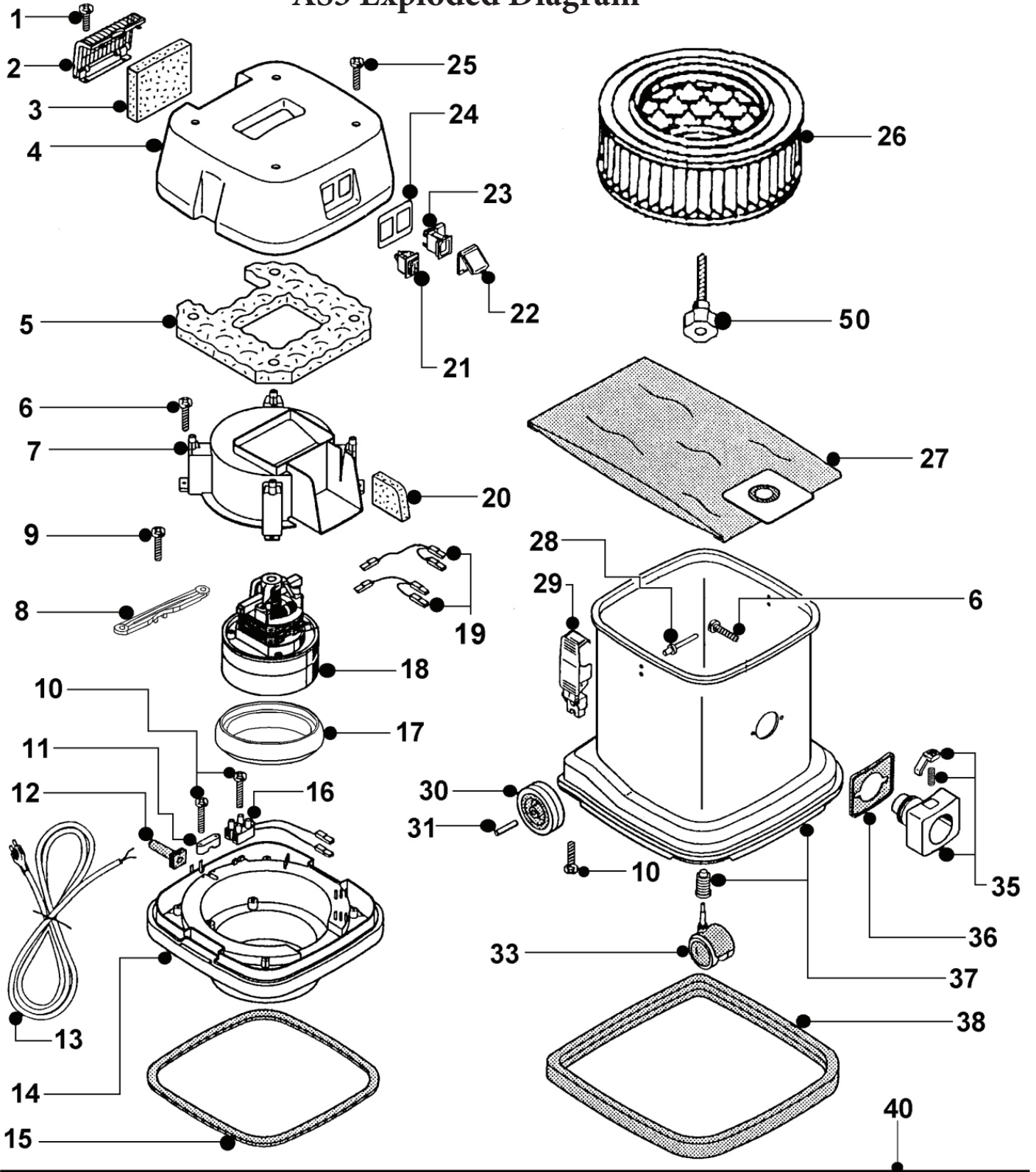


Pullman AS4/AS4H/PC4 Exploded Diagram

Spare Parts List

No.	Description	Supplier Code	
	Pullman AS4 Machine	11300068	
2	Canister Handle AS4	33101154	
7	Switch On/OFF AS4	33200523	
10	Filter Pre-Motor AS4	32200579	
12	Dust Bin Seal AS4	33701610	
13	Cord Restraint	33700014	
14	Cloth Filter in Frame	32200397	
16	Cable 9m AS4	33200159	
18	Metal Tank Clip AS4	33101164	
19	Rear Wheel	33500349	
22	Castor Wheel	33500348	
28	Hepa Filter	32200621	
26	Motor 1200w AS4	34400213	
29	Support Motor AS4	33151875	
	Complete Hose (3 LUG Machine End) Ver2	31220442	
	Re-usable Cloth Bag AS4 Ver1	33400164	
	Re-usable Cloth Bag AS4 Ver 2	33400176	
	Filter Bag Replacement 5pk	QC 5	
	Filter Bag Replacement Ver 1	QC 4	
	Combina 	31110033	
	Extension Rod	31300281	
	Hose Complete AS4 ver2, 3 Lug Connection	31220349	
	Rod Telescope Stainless Steel 32mm	31300282	
	Floor Nozzle Gulper 32mm	31110189	
	Tool Dusting Brush 32mm	31130010	
	Tool Crevice 32mm (Optional)	31120005	

AS5 Exploded Diagram









AS5 Exploded Diagram

Spare Parts List

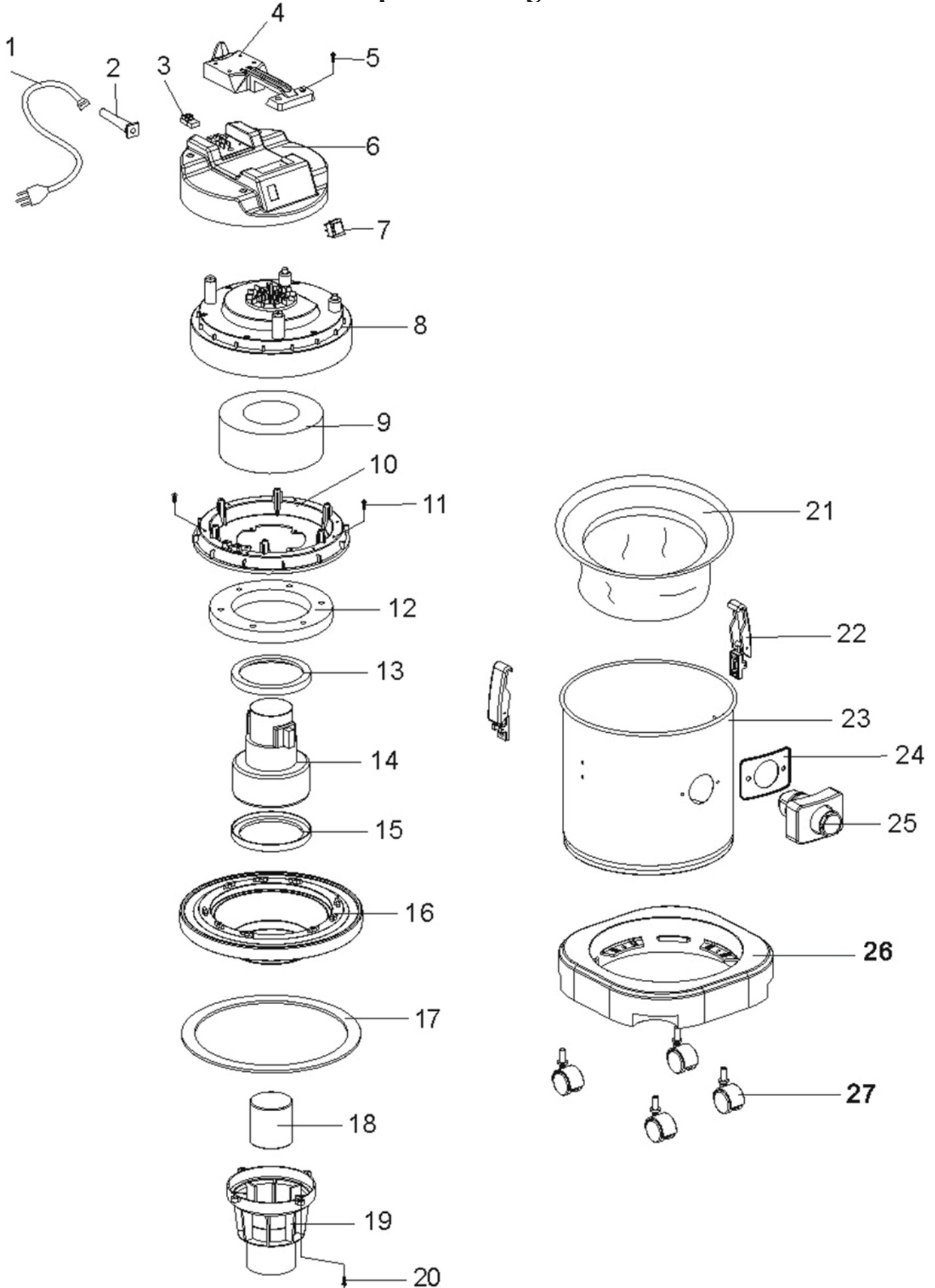
No.	Description	Supplier Code	
	AS5	11300011	
2	Grille Top AS5	33100394	
3	Filter Exhaust	32200197	
4	Cover Top	33100429	
5	Gasket	33700747	
7	Housing Motor Top	33100308	
8	Strap Motor Nylon	33700541	
13	Power Cord	33200043	
18	Motor Assy 1200w (Original) Pre 2011	33300003	
18	Motor Flow Thru 1200w AS5 Ver 2 Ghibli	Ver 1 33300678	
		Ver 2 34200031	
19	Carbon Brush- Suit 34200001 Only	33300002	
21	Switch, Power Rocker AS5	33200523	
23	Socket, Power Head	33700099	
26	Cartridge Filter (HEPA Micro)	32200202	
27	Bag Synthetic Pullman AS5 (QC 160) 10pk	32440301	
29	Clip Tank AS5	33700448	
30	Wheel Rear Pullman AS5	33500117	
31	Axle Wheel Ghibli AS5	33500135	
33	Wheel Castor Pullman AS5	33500114	
35	Tank Coupling for Hose	33700599	

AS5 Exploded Diagram

Spare Parts List

No.	Description	Supplier Code	
37	Tank with Wheels & Tank End AS5	33100082	
39	Rod 32mm Stainless Steel x 2	31300281	
40	Hose Complete Assembly	31220315	
41	Hose Only 2m x 32mm	31220151	
42	Connect Hose End	31300167	
43	Bent End Piece Chrome	31300070	
44-46	Tool Floor 32mm Pullman AS5	31110144	
47	Crevice Tool	31120005	
48	Upholstery Tool	31140030	
49	Dus? ? ? ? ?	31130044	
50	Cage Filter with Cloth Bag Ghibli AS5	33100827	
	Cord Flex 9m 2 core with Plug Pullman AS5	33200374	

CB15 Exploded Diagram


















CB15 Exploded Diagram

Spare Parts List

No.	Description	Supplier Code	
	Pullman CB15-SS	11500015	
1	Cord Flex 18m 3 Core	33200045	
7	Switch On & Off Pullman CB15, CB30, CB60, CB80	33200523	
14	Motor Suction Pullman CB15, CB30, CB60, CB80	34100001	
16	Base Motor Plate	33701548	
17	Lid Gasket	33100364	
19	Float Cage	33701473	
21	Cloth Bag	33400148	
22	Latch Tank- Plastic	33701474	
	Latch Tanks- Metal	33101164	
23	Tank 15L Plastic	33101021	
25	End, tank Pullman CB15-p, CB15-ss	33700481	
26	Base For Tank	33101120	
27	Wheels Castor	33500314	
	Accessories		
	Floor nozzle Wet 36mm	31110127	

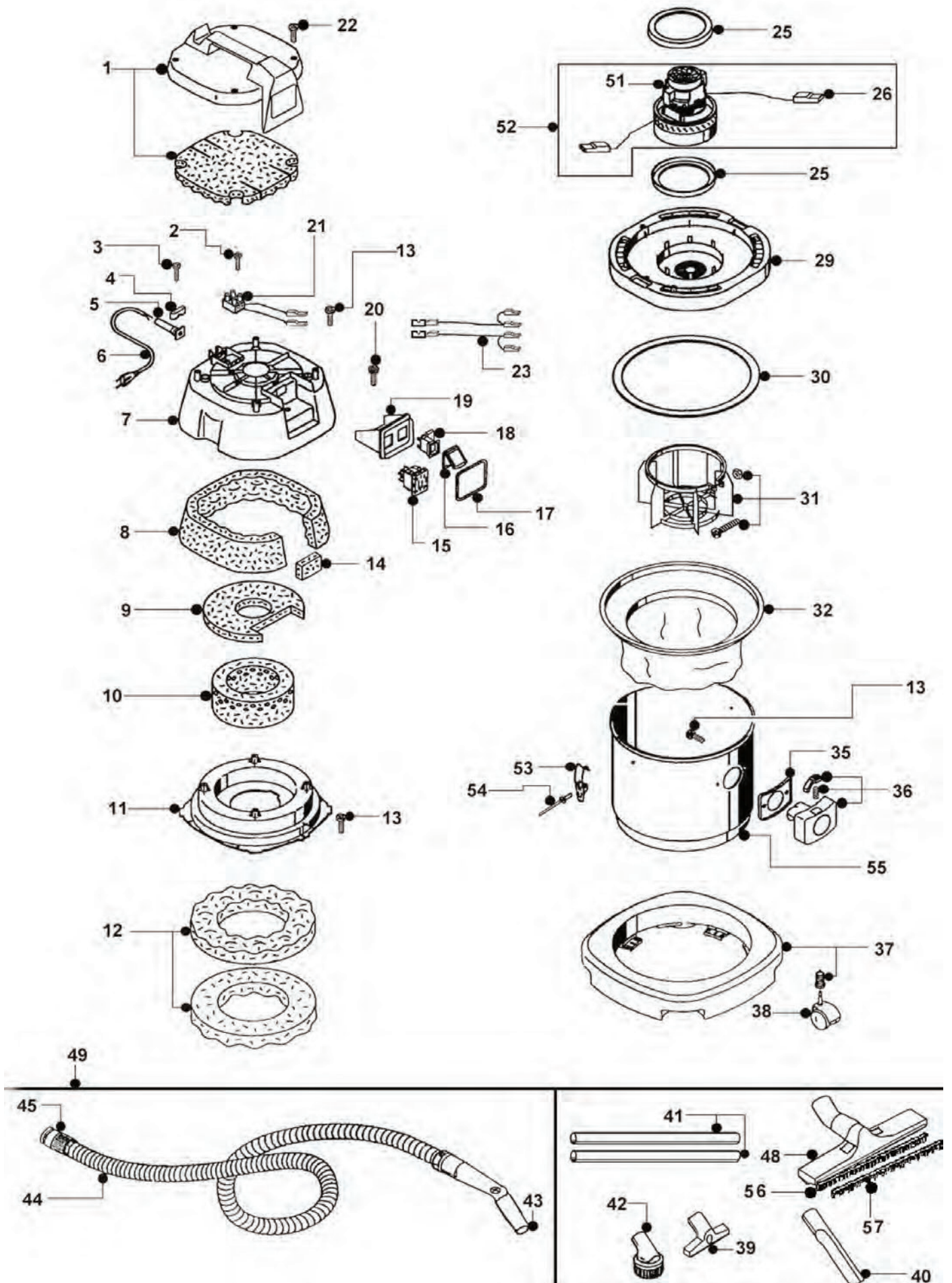
CB15 Exploded Diagram

Spare Parts List

No.	Description	Supplier Code	
	Tool Crevice 36mm	31120071	
	Tool Dus ²     	31130062	
	Tool Nozzle Combo 36mm	31110013	
	Tool Upholstery 36mm	31140059	
	Hose Complete	31220268	
	Rod Extension 36mm	31300393	
	BEP 36mm	31300428	
	Filter Replacement Bag	QC5/32440268	
	Cord	33200374	
	Machine End	31300001	



AS10 Exploded Diagram



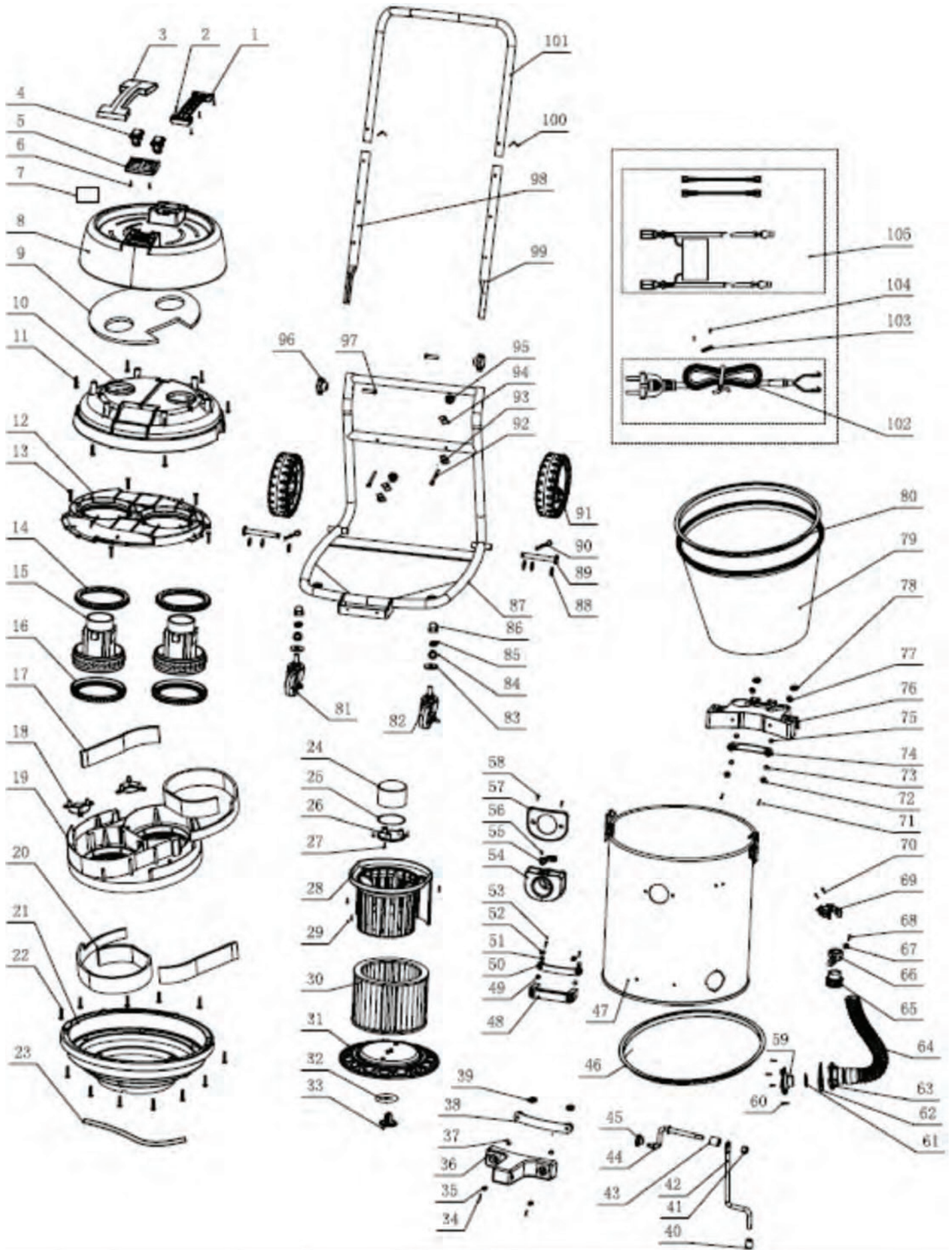
AS10 Exploded Diagram

Spare Parts List

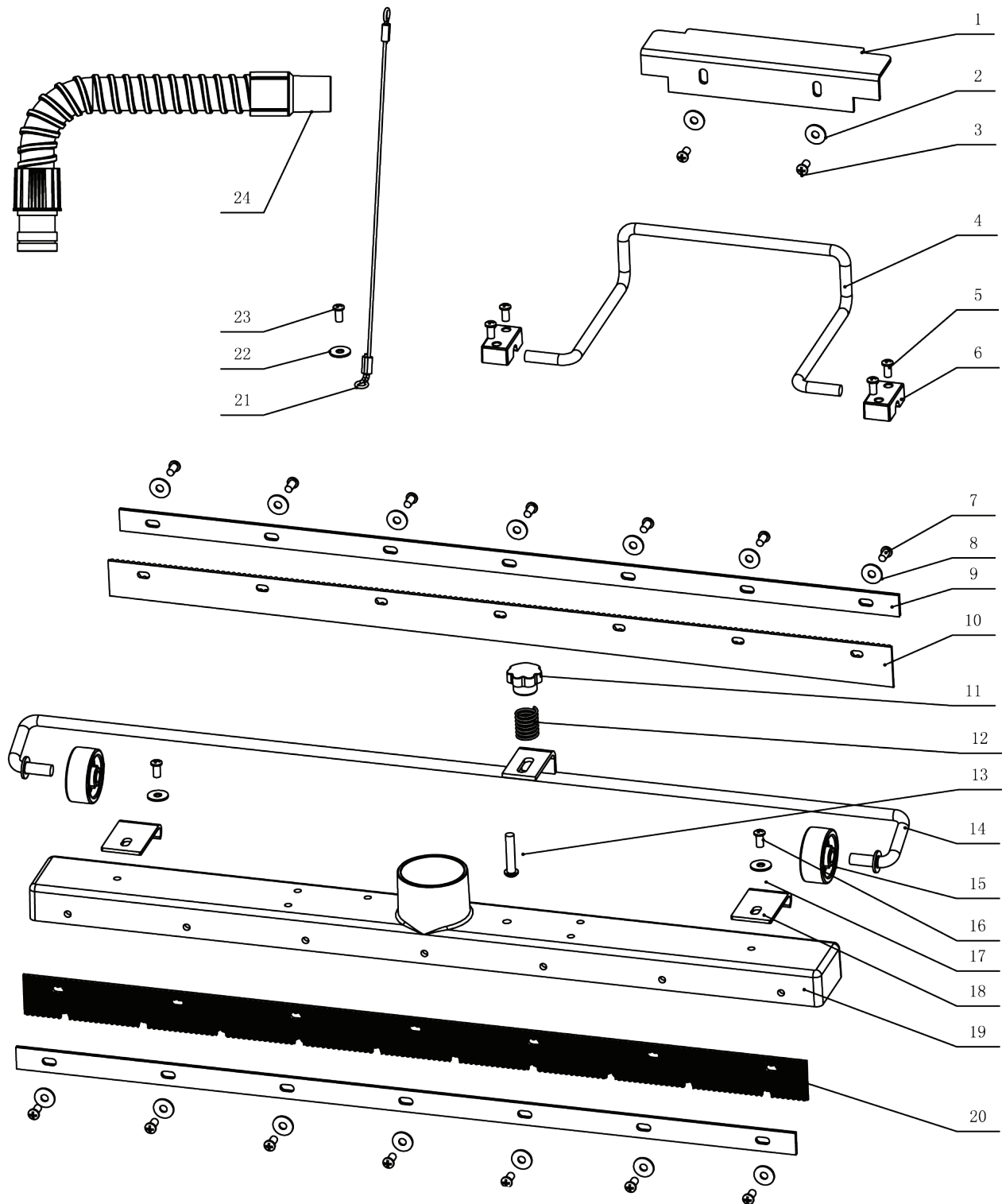
No.	Description	Supplier Code
	AS10	11300015
1	Handle Top Assy	33100299
6	Power Cord	33200043
15	Switch - Rocker	33200523
32	Cloth Bag	33400029
36	Inlet - Hose	33700481
37	Base - Tank	33101120
38	Caster Wheel	33500114
52	Motor Assy	34100001
53	Latch - Tank	33600006
55	Tank	33700481
	Accessories	
39	Tool - Upholstery	31140059
40	Tool - Crevice	31120071
41	Rod - Chrome	31300043
42	Tool - D ² Ring	31130062
43	BEP 36mm	31300044
44	Hose Assy (incl 43 & 45)	31220295
45	Machine End	31300001
48	Floor Tool - Squeegee	31110127
	Floor Tool - Combo	31110013
	Base Tank Ghibli	33100900
	Wheel Housing Insert	33500124
	Hose 36mm	31220268
	Quickfit Bag QC5	32440268



60L Wet & Dry with Outrigger WD60LSSO Exploded Diagram



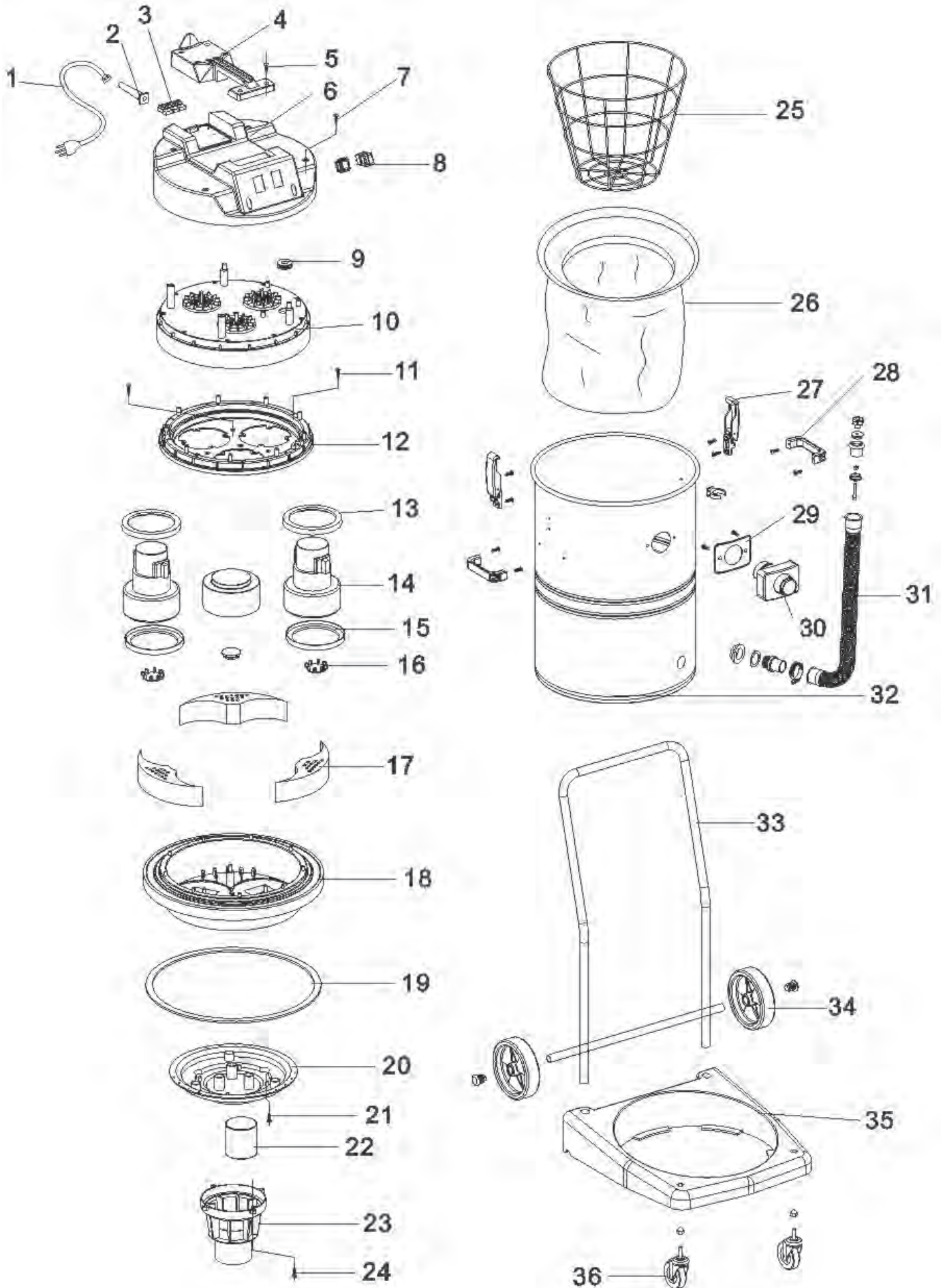
60L Wet & Dry Outrigger WD60LSSO Exploded Diagram



Spare Parts List

No.	Description	Supplier Code	No.	Description	Supplier Code
	60 Wet & Dry Vac with Outrigger	11500131	79	Cloth Filter	32430008
10& 20	Squeegee Replacement Set	31151794	91	Rear wheel (incl # 88-91)	33500398
15	Motor	34100035	101	Handle assy. (incl. # 96 to 101)	31151797
30	HEPA Filter	32200829	102	Power cord ass. 10mt.	33200874
36	Rotating Shaft Support	33154908			
47	Stainless Steel Tank (60L)	33151805		Outrigger Tool 60L	31151793
66	Drain-Pipe Plug (incl # 66-68)	33701756			

CB60 Exploded Diagram










CB60 Exploded Diagram

Spare Parts List

No.	Description	Supplier Code	
	CB60-2-SS	11500014	
1	Cord Flex 18m 3 Core	33200045	
8	On/Off Switch	33200523	
14	Bypass Motor	34100001	
18	Base Motor	33701547	
22	Float	33701473	
23	Float Cage	33701572	
25	Holder Cloth Bag	33701479	
26	Bag Cloth	33400126	
27	Latch Tank	33701474	
30	Tank Inlet PVC	33700481	
31	Water Pipe	33101028	
32	Tank S/Steel CB60	33101023	
34	Wheel Rear	33500315	
36	Castor Wheel	33500316	

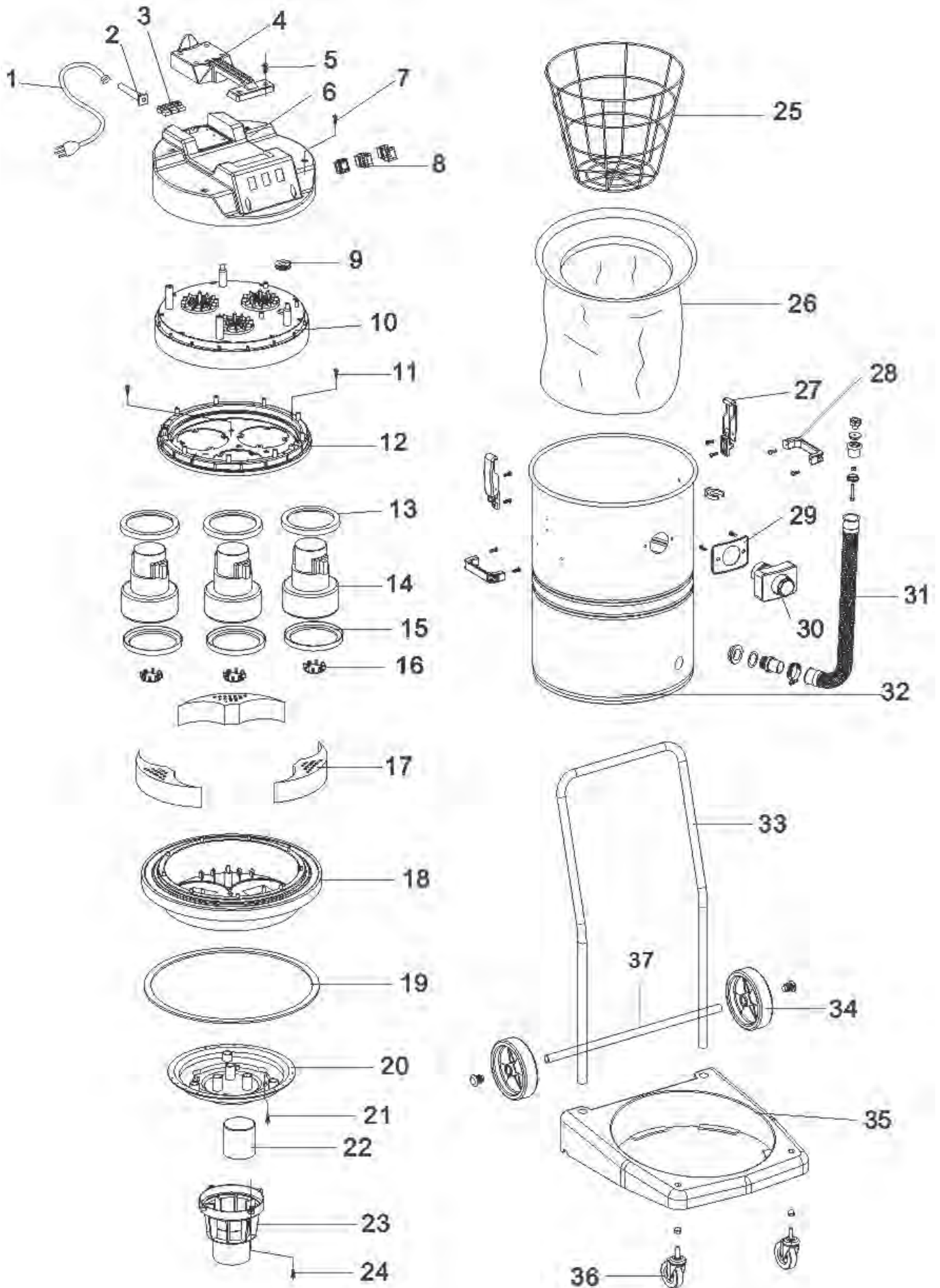
CB60 Exploded Diagram

Spare Parts List

No.	Description	Supplier Code	
	Floor Nozzle	31150014	
	Dusting Brush	31130061	
	Carpet Floor Tool	31150015	
	Squeegee Tool	31150055	
	Crevice Tool	31120070	
	Hose Assembly 40mm	31220267	
	Extension Rod 40mm Upper/Lower Set	31300392	



CB80 Exploded Diagram








CB80 Exploded Diagram

Spare Parts List

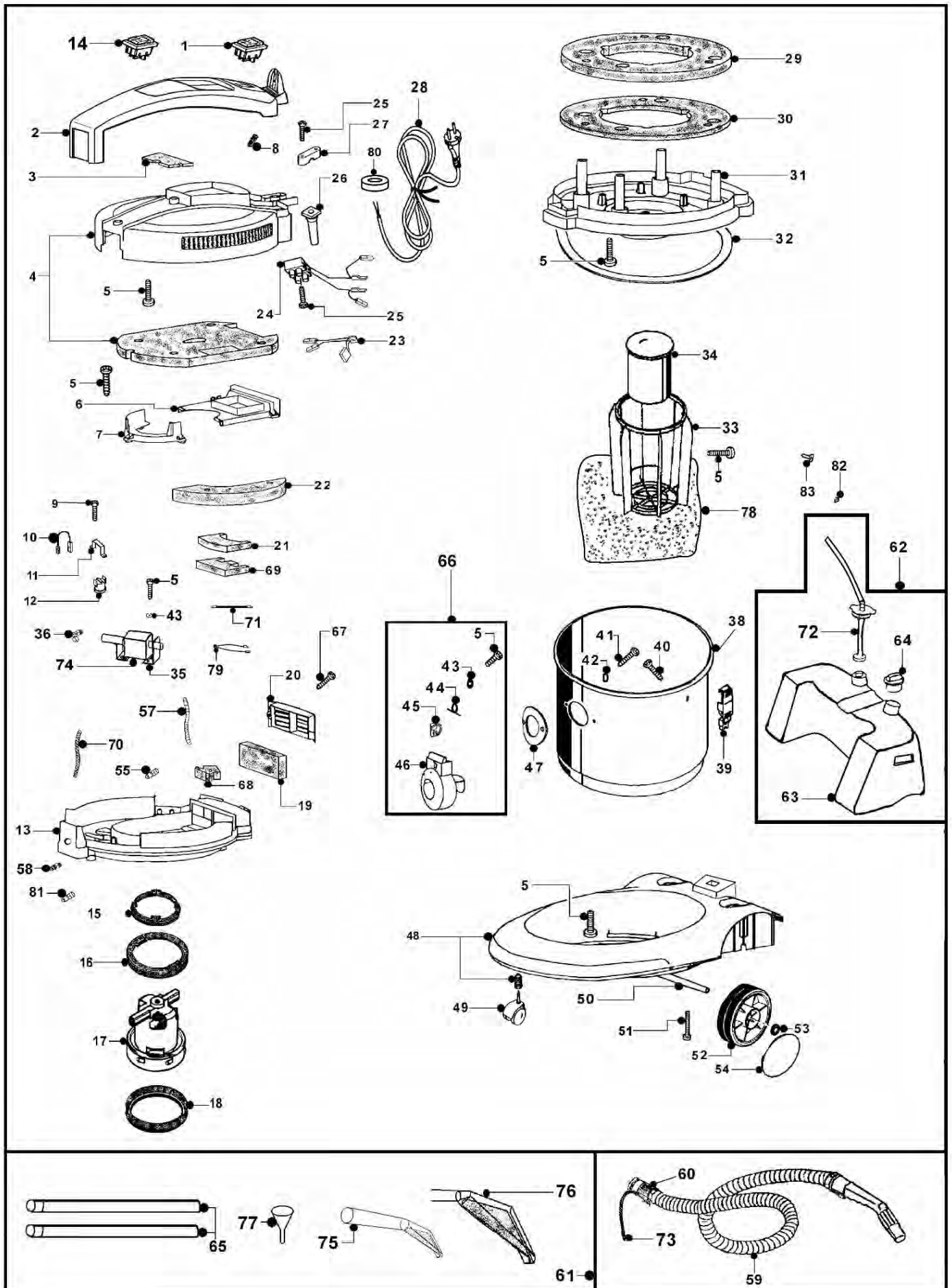
No.	Description	Supplier Code	
	CB80	11500020	
1	Power Cord 15amp	33200007	
2	Cord Protector	31300430	
8	Switch	33200523	
14	Motor Bypass 1000w	34100001	
18	Base Motor Support	33701547	
23	Float Cage	33701572	
26	Bag Cloth	33400126	
27	Latch Tank	33701474	
30	Tank Inlet	33700481	
31	Pipe Drain	33101028	
34	Wheel Rear	33500315	
36	Wheel Castor	33500316	
	Tool Floor Wet	31150055	
	Floor Nozzle	31150014	
	Crevice Tool 40mm	31120070	
	Carpet Floor Tool	31150015	
	Replacement Rubber Blades and Squeegee Set	31600028	

CB80 Exploded Diagram

Spare Parts List

No.	Description	Supplier Code	
	Tool Floor Carpet	31150015	
	Tool Upholstery	31140059	
	Hose Complete	31220267	
	Machine End	31300237	
	Rod Lower	31300042	
	Quickfit QD136 Replacement Bag	32440097	
	☐ ☐ ☐ ☐ ☐	31300082	
	Cord	33200007	
	Squeegee Tool	31150055	
	Dusting Brush 40mm	31130061	
	Rod Upper/Lower 40mm	31300392	
	Hose Assembly 40mm	31220267	

M7 Exploded Diagram

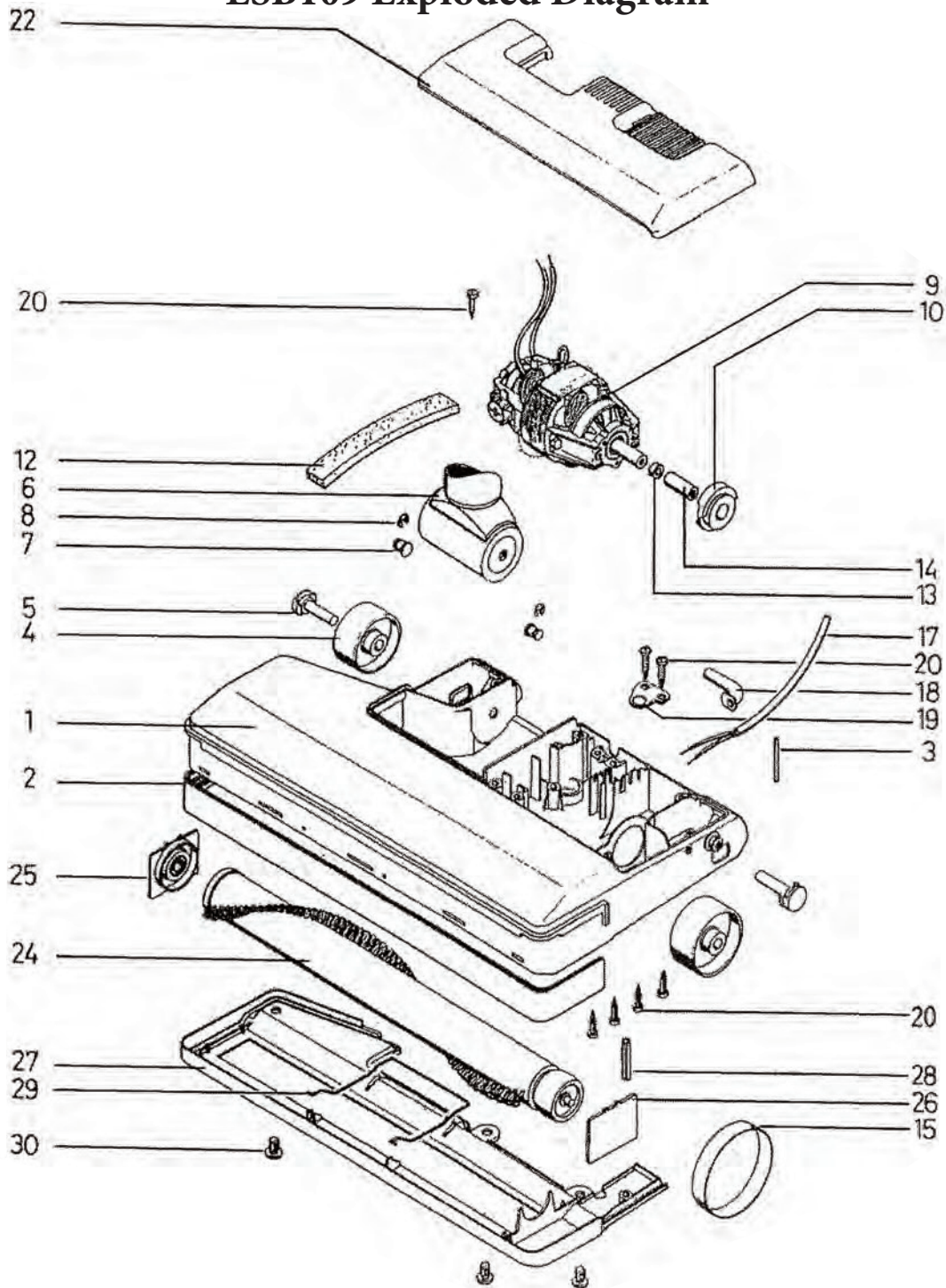


M7 Exploded Diagram

Spare Parts List

No.	Description	Supplier Code
1	Switch Motor Red Pullman M7	33200762
14	Switch Pump Green Pullman M7	33200763
17	Motor 1200w Pullman M7	34100023
39	Tank Clip Holds Motor Head on	33600006
55	Connect Tube Quick Release DA 1/8" Pullman M7	33701729
58	Connect Tube Quick Release DA 1/8" Pullman M7	33701730
61	Hose Complete Integrated Assy Pullman M7	31220444
62	Tank Solution Pullman M7	33701733
64	Tank Cap Pullman M7	33701732
65	Rod Integrated Extn 36mm Pullman M7 wds1600	31300548
72	Tank Suction Tube Pullman M7	33701731
74	Pump 230v 50hz Pullman M7	33701734
75	Window Nozzle with Squeegee Pullman M7, wds1600	31150321
76	Floor Shampoo with Squeegee Pullman M7, wds1600	31110211
	Pullman Spray Extraction Unit M7	12300049
	Upholstery Tool 35mm Pullman M7	31140031

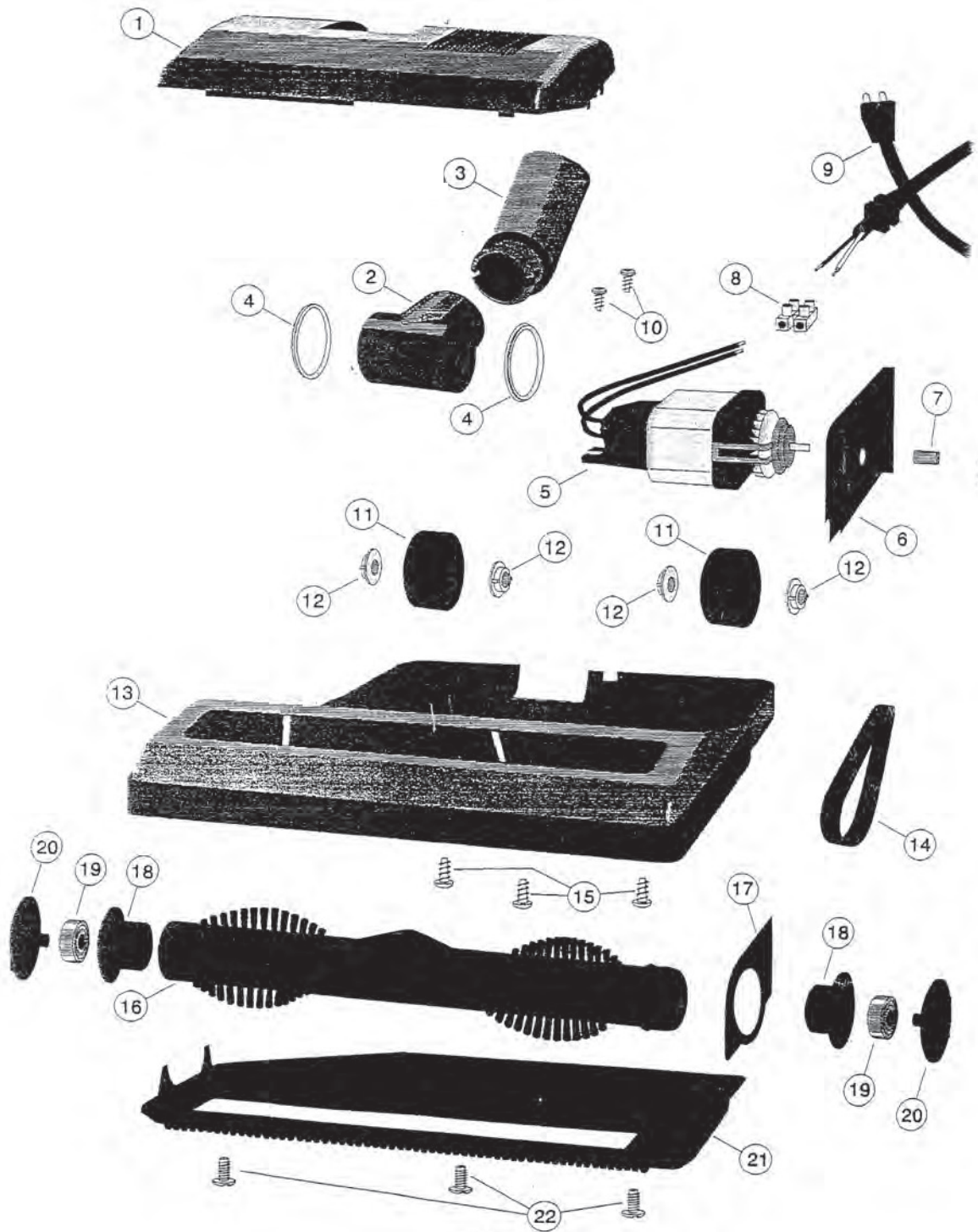
ESB109 Exploded Diagram



Spare Parts List

No.	Description	Supplier Code	No.	Description	Supplier Code
6	32mm Elbow	31300037	19	Clip for lead	33701451
6	35mm Elbow	31300015	24	Roller brush	33700078
9	Motor	34400019	25	Bearing - Brush R/H	33700495
14	Pulley	33300056	26	Bearing - Brush L/H	33700498
15	Belt	33200065	27	Base plate	33700451
17	Power lead	32100013			

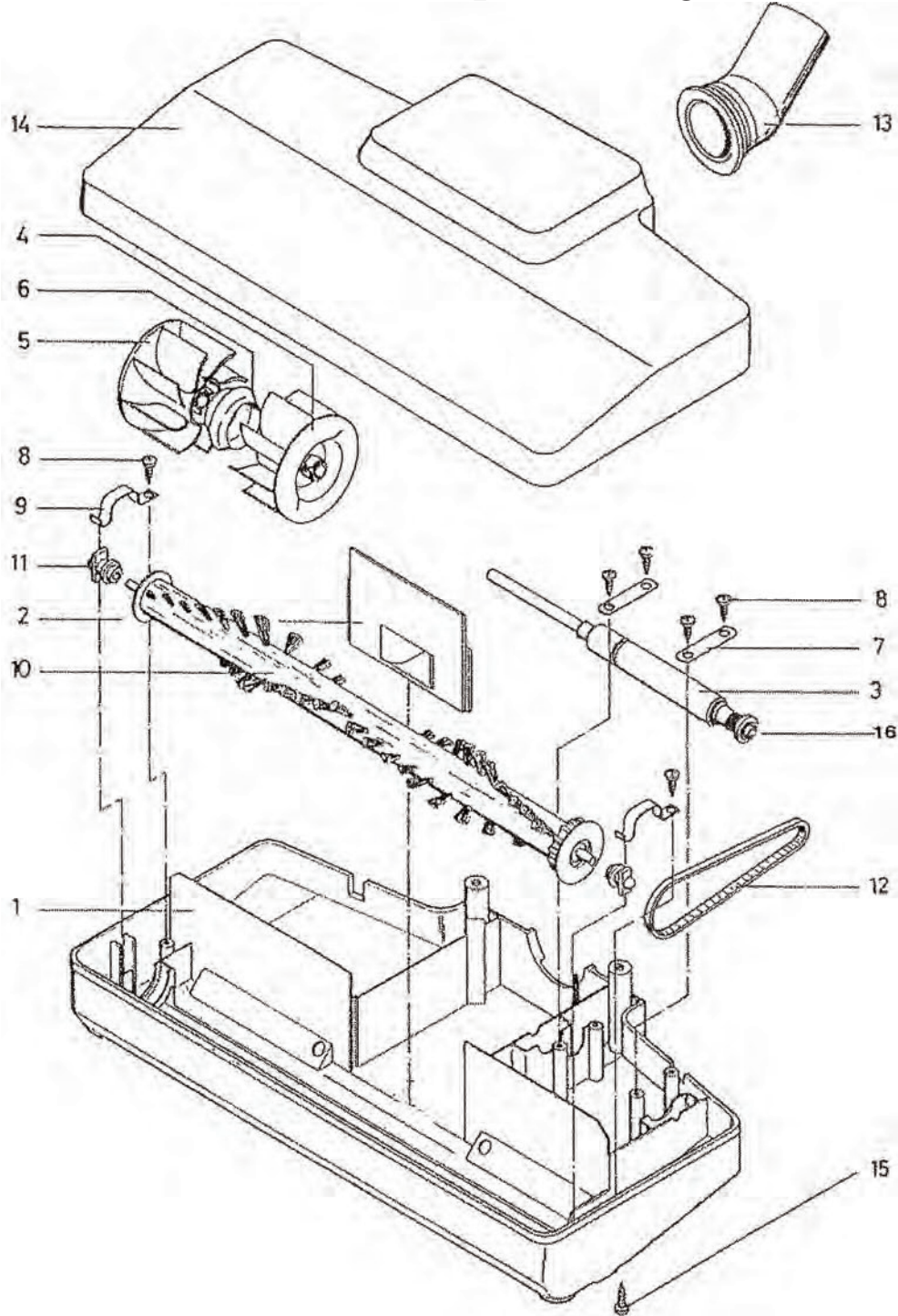
PB4 Powerhead Exploded Diagram



Spare Parts List

Supplier Code	No.	Description
33200062	9	Power Cord
32100013	14	Drive Belt
33700079	16	Roller Brush
33700122	21	Base Plate

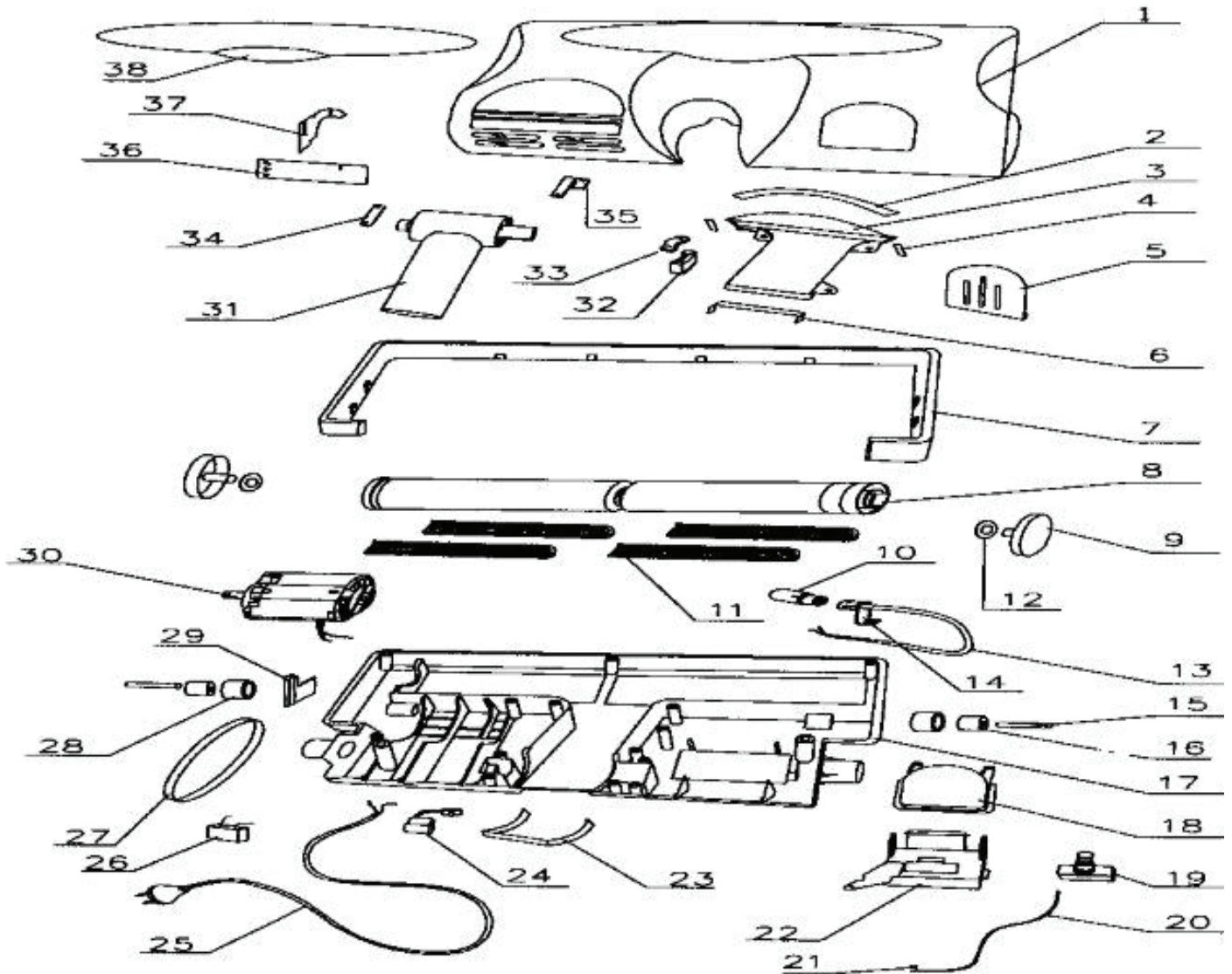
TK2 Turbohead Exploded Diagram



Spare Parts List

No.	Description	Supplier Code
3-6	Turbine & shaft	33500017
10	Roller brush	33700487
11	Bearing - brush	33700602
12	Belt	32100012
16	Pulley	33700441

Tornado PB007 Powerhead Exploded Diagram



Spare Parts List

No.	Description	Supplier Code
8	Metal Brush Roller	33701082
10	Globe	33200094
11	Brush Strip 1 set	33701081
27	Flat Belt	32100011
27a	Toothed Belt	32100140
30	Ametek Motor	34400174
31	Elbow - T piece 32mm	31300303
31a	Adaptor for CCH Rod Fits into Elbow	31300382